



// LIGHTER MEANS EASIER – LIGHTER MEANS BETTER

## LAYHER ALLROUND LIGHTWEIGHT

**L** improving an outstanding product is not easy. But Layher has created more possibilities for you. Our mission has always been to lighten your load. In this case, we have taken our mission literally. By working hand-in-glove with our steel suppliers, Layher engineers have succeeded in developing special high-tensile steel – a steel that significantly lowers the weight of components. Despite reduced wall thickness and lower weight, these new Layher products deliver higher load-bearing capacity than the proven Allround system.



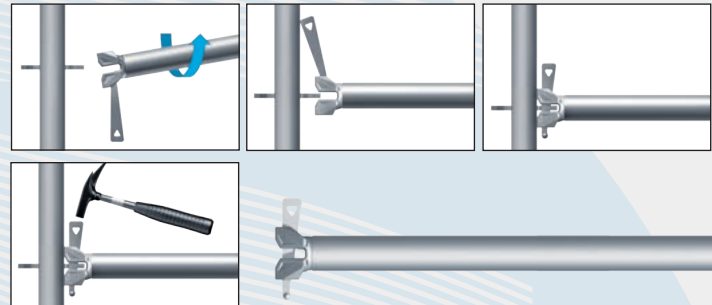
### THE ALLROUND STANDARD LW

Thanks to the reduction of the wall thickness, **the weight can be reduced about 10 %** with same load-bearing capacities. The integrated shaped spigots with less play in the joints, guarantee an optimal force transmission. Thanks to the cross-holes in the spigot, only one standard can be used for stand and suspended scaffolding.



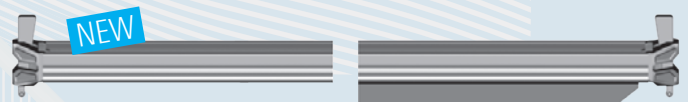
### THE ALLROUND O-LEDGER LW

The new **wedge-head design with AutoLock function** means greater construction safety. By turning the ledger the function gets activated and the wedge descends into rosette slot automatically. Thanks to the reduction of the wall thickness there is a **weight saving of 12 %**. That leads to less strenuous working conditions. Additionally the **bending strength got increased about 24 %**.



### THE ALLROUND U-LEDGER LW – 1.09 M TO 1.40 M

Thanks to the use of high-tensile steel, the V-reinforcement could be eliminated – with same load-bearing capacity. That leads to a high **weight saving of up to 28 %**. The height clearance increases by 4.5 cm thanks to the elimination of V-reinforcement.



### THE ALLROUND U-LEDGER REINFORCED – 1,57 M TO 3,07 M

Thanks to the use of high-tensile steel, a completely new ledger could be developed for replacing the U-bridging ledger. The new Allround U-ledge reinforced, has a reinforcing section at the bottom site, which means **more head room by 10 cm** – the **load-bearing capacity increases by up to 114 %**.



# LIGHTER MEANS EASIER

# LIGHTER MEANS BETTER



## PRODUCT DETAILS

Pos.	Description	Dimensions L/H x W [m]	Weight approx. [kg]	PU [Pcs.]	Ref. No.
1	<b>Allround Standard LW</b> , Steel, with integrated spigot	0.5	2.70	240	<b>2617.050</b>
		1.0	4.90	28	<b>2617.100</b>
		1.5	7.10	28	<b>2617.150</b>
		2.0	9.30	28	<b>2617.200</b>
		2.5	11.50	28	<b>2617.250</b>
		3.0	13.70	28	<b>2617.300</b>
		4.0	18.10	28	<b>2617.400</b>
2	<b>Allround O-ledger LW</b> , Steel with AutoLock function	0.39	1.90	250	<b>2601.039</b>
		0.45	2.10	250	<b>2601.045</b>
		0.73	2.90	400	<b>2601.073</b>
		0.90	3.40	50	<b>2601.090</b>
		1.04	3.80	50	<b>2601.103</b>
		1.09	4.00	50	<b>2601.109</b>
		1.29	4.60	50	<b>2601.129</b>
		1.40	5.00	50	<b>2601.140</b>
		1.57	5.50	50	<b>2601.157</b>
		2.07	7.00	50	<b>2601.207</b>
		2.57	8.50	50	<b>2601.257</b>
		3.07	10.10	50	<b>2601.307</b>
		4.14	13.40	50	<b>2601.414</b>
		3	<b>Allround U-ledger LW</b> , Steel	1.00	4.10
1.09	4.40			50	<b>2613.108</b>
1.29	5.20			50	<b>2613.129</b>
1.40	5.35			50	<b>2613.139</b>
4	<b>Allround U-ledger LW reinforced</b> , Steel	1.57	9.40	50	<b>2613.157</b>
		2.07	12.70	50	<b>2613.207</b>
		2.57	15.70	50	<b>2613.257</b>
		3.07	19.00	50	<b>2613.307</b>

available ex works

delivery time on request

Subject to technical modification. All deliveries shall only be made exclusively in accordance with our currently valid General Terms of Sale.